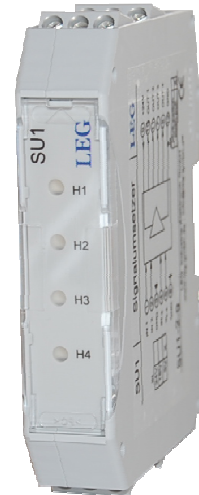


## Signal Converter / - Amplifier 4 channels into 24V (HTL) SU1

Characteristics:

- Four-channel level converter
- Transmission frequency 200kHz
- Output 24VDC/4x 100mA
- Each channel is indicated by 1 LED
- Fast switching times from 0,5µs/1µs
- Supply 24VDC
- Mountable on 35mm cap rail TS35
- Clear terminal labeling
- Narrow design
- Shape 17,5mm, super low
- PB - Power-Bus - compatible
- High reliability, 5 years warranty



Description:

The units of the signal converter series SU1 are four- channel level converters for converting high-impedance 24V or also TTL-signals into resilient 24V signals. You can choose the switch conditions of the outputs between plus-switching and push-pull, for example HTL. They are indicated by LED's in each output. The short-circuit proof outputs protects in case of a failure.

Application:

Signal conversion 5VDC (TTL) into 24VDC (HTL)  
 Converting high-impedance signals

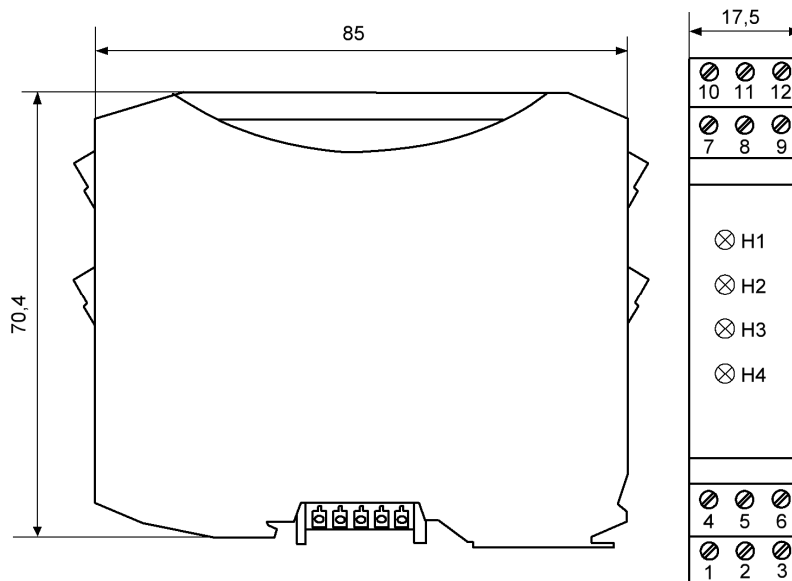
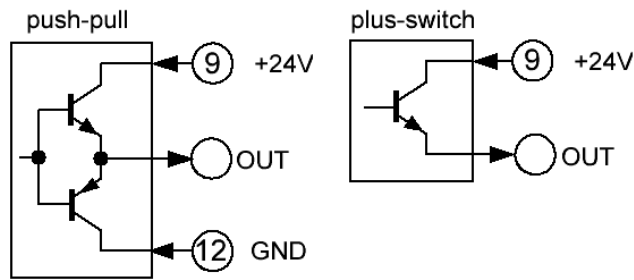
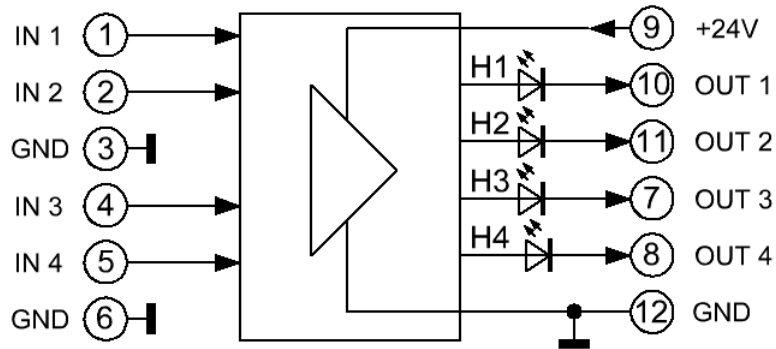
### Order-No.:

Input:	SU1-	switching:	output:
24VDC	1	plus-switch	8 24VDC/4x 100mA
5VDC	2	push-pull (HTL)	9 24VDC/4x 100mA

### Order example:

Signal converter SU1:  
 Input = 24VDC  
 Plus-switch

Order No. SU1-1-8



## Technical data

### Auxiliary power

---

Supply voltage : 19, 2...30VDC  
Current consumption : 100mA + load

### Inputs:

---

		Low:	High:	Rin:
SU1-1-	: 16, 8...30VDC	< 5V	> 13V	100kOhm
SU1-2-	: 2, 5...6,25VDC	< 1V	> 2,1V	100kOhm
Over Load	: max 40V			

### Outputs:

---

Voltage output :  $U_{cc} - 1,5V$   
Current output : max. 4x 100mA  
Transmission-Frequency: 200 kHz  
Switch time : ON 1 $\mu$ s, OFF 0, 5 $\mu$ s  
Level : Optional plus or push-pull (HTL)

### General data:

---

Operating temperature : 0...50°C  
Storage temperature : -25...+85°C, condensation before putting into operation is not allowed  
MTBF : 280 years mean time between failures – according to EN 61709 (SN 29500).  
Requirements: Stationary operation in clean rooms, average ambient temperature 40 ° C, no aeration, continuous operation  
CE conformity : EN 61326-1, EN 61000-4-2/3\*/4/5/6\*, EN 61000-6-4  
\* during measurements are small deviations possible

### Body:

---

Dimension : Cf. drawing, 17,5mm adjoin body, 17,5x70,4x90,5mm (with terminals)  
Material : PA / V0  
Protection category : IP20  
Connection : M3-screw-type terminal 0, 14 – 2,5mm<sup>2</sup>, flexible or inflexible  
Fixing : Snap-on mounting for norm rail TS35  
Weight : 64g  
Mounting position : As you like

**Note on safety:**

---



Disconnect the power supply before attempting to open the unit.

During the operation of this module it is possible that parts of the module, even there is extra-low voltage, (for example shunt measurement) are under dangerous voltage! Therefore a non-observance of this caution may cause damage of property or physical injury.

Only trained qualified personnel should install or operate the unit. Before installation the qualified personnel should read the documentation and should familiarize themselves with the unit.

If there is visible damage to the body of the unit it should be immediately replaced and not put into operation.



Please ensure that there is a sufficient prevention against electrostatic discharge during installation of the unit.

**Installation Information:**

---

Pay attention and make sure the unit is far away from mounted sources that may disturb the device such as magnetic coils, transformers, frequency converters etc.

**Wiring advise:**

---

Use only shielded cables. The shield is to be connected extensively to ground. Do not mix power- and signal-wires/cables in the same cable tray.

**Limited guarantee:**

---

The LEG Industrie-Elektronik GmbH warranted that the product does not have any material or processing defects in a period of 5 years after date of delivery.

It is up to the choice of LEG to repair or to exchange an inoperative unit.

Subsequent damages or any claim for indemnification above the functionality of the unit are excluded.

This limited warranty is only valid if ...

1. the product was installed and put into operation according to the LEG operation documentation;
2. the technical configuration of the power supply was abided;
3. the product was not used for unintended purposes;
4. there were no unauthorized modifications or manipulations, misuse or repairs without previous agreement from LEG .

Our Terms of Trade are based on the "General Conditions for the supply of products and services of the Electrical and Electronics Industry" including the "Complementary Clause: Extended Reservation of Property" of the ZVEI e.V. (German Association of Electrical Manufacturers).

**Miscellaneous:**

---

We expressly reserve the right, without previous notice, to correct errors contained in any data of this information brochure, and to make alterations to the program and technical modifications.