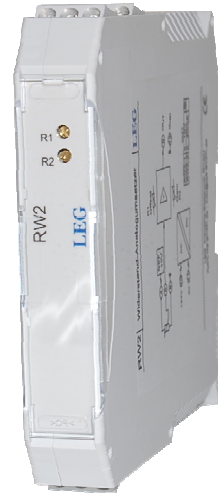


## Resistor / Analog Converter Set Point Generator

**RW2**

Characteristics:

- Voltage- or current output
- Zero point / amplification adjustable
- Input 1kΩ...1MΩ (potentiometer)
- Mountable on 35mm cap rail TS35
- Clear terminal labeling
- Shape 17,5mm,
- PB-Power-Bus compatible
- High reliability, 5 years warranty



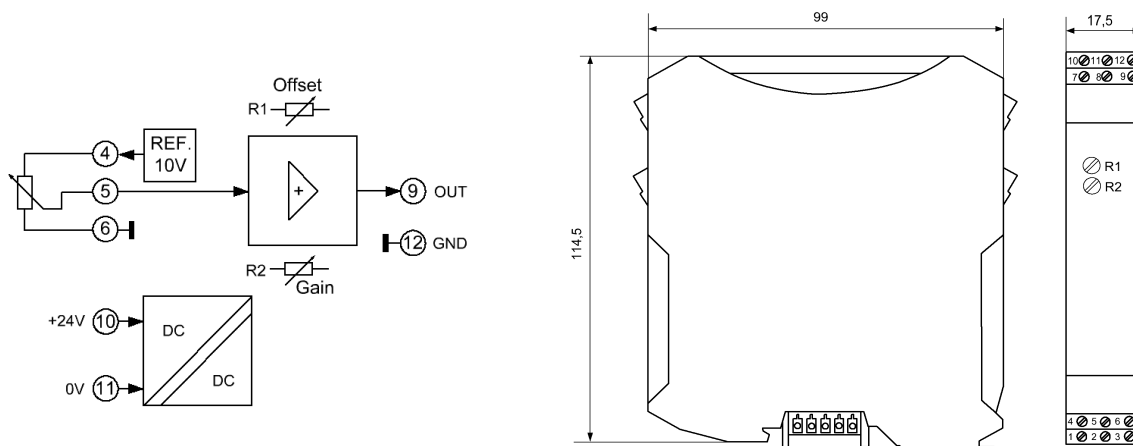
Description:

The devices of the series RW2 have been developed for changing potentiometric values into norm signals. The modules are driven by one potentiometer in 3-wire technology. They will be converted into a 0...10V or 0...20mA norm signal. One 20-turn cermet trimming potentiometer enables the adjustment of the initial- and end range. Thereby the adjusting range of the mechanical installation circumstances of the potentiometer can be adjusted.

The modules are mountable on snap-on rail TS35, they need an auxiliary power of 24V.

Application:

Set point generator, tele control units, butterfly valves



**Order No.:**

**Output:**

**RW2-1**

Voltage

**RW2-2**

Current

## Technical Data

### Auxiliary power:

---

Supply voltage : 19...30Vdc  
Power consumption : < 1,5VA

### Input:

---

Potentiometer : 1kΩ....1MΩ / 3-wire technique

### Outputs:

---

Voltage output : 0...10V / max 20mA  
Current output : 0...20mA / load resistor max. 500Ω  
Reference voltage : 10Vdc / max. 10mA

### Accuracy:

---

Linearity error : < 0,003%  
Zero point error : < 0,001%  
Temperature coefficient: < 0,002% / K

### General data:

---

Operating temperature : 0...50°C  
Storage temperature : -25...+85°C, condensation before putting into operation is not allowed  
CE conformity : EN 61326-1, EN 61000-4-2/3\*/4/5/6\*, EN 61000-6-4  
\* during measurements are small deviations possible

### Body:

---

Dimension : See drawing, 17,5mm adjoin body, 17,5x114,5x104,5mm (with terminals)  
Material : PA / V0  
Protection category : IP20  
Connection : M3-screw-type terminal 0, 14 - 2,5mm<sup>2</sup>, flexible or inflexible  
Fixing : Snap-on mounting for norm rail TS35  
Weight : 107g  
Mounting position : As you like

### Note on safety:

---



Disconnect the power supply before attempting to open the unit.

During the operation of this module it is possible that parts of the module, even there is extra-low voltage, (for example shunt measurement) are under dangerous voltage! Therefore a non-observance of this caution may cause damage of property or physical injury.

Only trained qualified personnel should install or operate the unit. Before installation the qualified personnel should read the documentation and should familiarize themselves with the unit.

If there is visible damage to the body of the unit it should be immediately replaced and not put into operation.



Please ensure that there is a sufficient prevention against electrostatic discharge during installation of the unit.

### Installation information:

---

Pay attention and make sure the unit is far away from mounted sources that may disturb the device such as magnetic coils, transformers, frequency converters etc.

### Wiring advice:

---

Use only shielded cables. The shield is to be connected extensively to ground. Do not mix power- and signal-wires/cables in the same cable tray.

### Limited warranty:

---

The LEG Industrie-Elektronik GmbH warranted that the product does not have any material or processing defects in a period of 5 years after date of delivery.

It is up to the choice of LEG to repair or to exchange an inoperative unit.

Subsequent damages or any claim for indemnification above the functionality of the unit are excluded.

This limited warranty is only valid if ...

1. the product was installed and put into operation according to the LEG operation documentation;
2. the technical configuration of the power supply was abided;
3. the product was not used for unintended purposes;
4. there were no unauthorized modifications or manipulations, misuse or repairs without previous agreement from LEG .

Our Terms of Trade are based on the “General Conditions for the supply of products and services of the Electrical and Electronics Industry” including the “Complementary Clause: Extended Reservation of Property” of the ZVEI e.V. (German Association of Electrical Manufacturers).

### Miscellaneous:

---

We expressly reserve the right, without previous notice, to correct errors contained in any data of this information brochure, and to make alterations to the program and technical modifications.