

Measuring Amplifier for Effective Values

EM8

Characteristics:

- Input frequency 40-70Hz, true sine
- Direct connection without external changeover
- High base accuracy < 1%
- Current transformer to 10A/230VAC
- Voltage transformer to 440VAC
- Standard signal output
- Galvanic three-way isolation
- Adjustable (optional free accessible)
- Mountable on 35mm cap rail TS35
- Clear terminal labeling
- Narrow design
- Shape 22,5mm
- Wide range power supply
- High reliability, 5 years warranty



Description:

The devices of the series EM8 current-/voltage measuring transformers have been developed for recording alternating currents or –voltages and to convert them into norm signals of 0...10V or 0, 4...20mA. In the version as current measuring transformer alternating currents to 10A can be connected directly. The model as voltage measuring transformer allows a connection up to 440VCA. The devices of series EM8 have a true 3-way potential isolation between input, output and auxiliary power.

Application:

Monitoring of alternating voltages

Monitoring of alternating currents without additional current transformers

Order-No.:

Input:	EM8-	Output:	
0...1A	1	0...10V	1
0...5A	5	0...20mA	2
0...10A	10	4...20mA	3
0...140V	115		
0...260V	230		
0...440V	440		

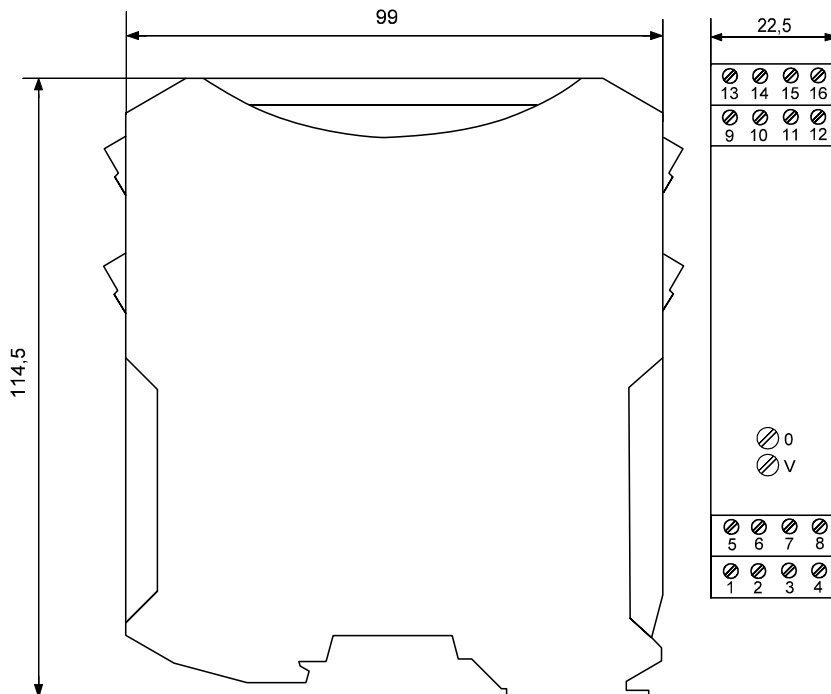
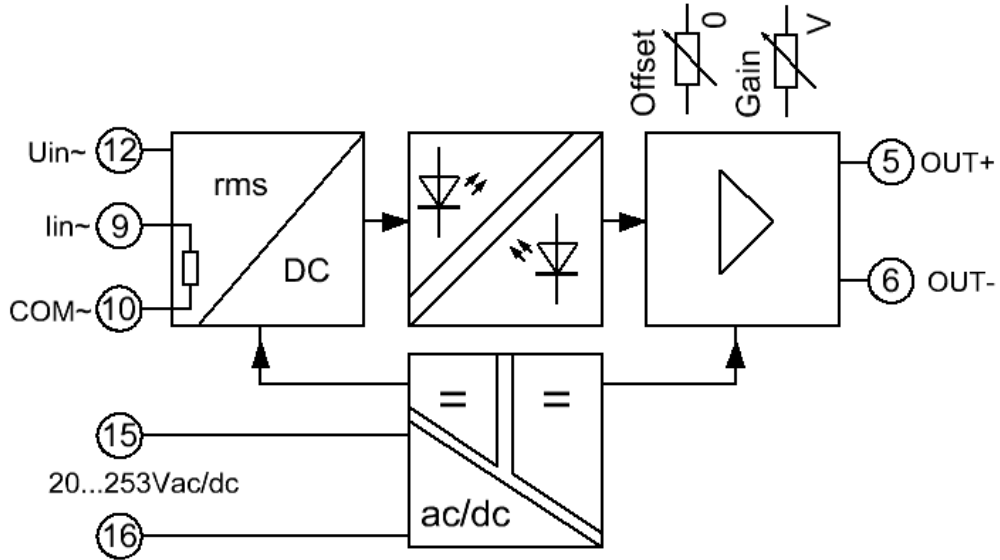
Order example:

Current measuring transformer EM8:
 Input = 1A / Output = 0...20mA

Order-No. EM8-1-2

Voltage measuring transformer EM8
 Input = 440V / Output = 0...10V

Order-No.: EM8-440-1



Technical Data

Auxiliary power:

Supply voltage	:	20...253VAC/DC
Power consumption	:	2VA

Inputs:

Voltage input	:	0...140Vac 0...260Vac 0...440Vac
Current output	:	1Aac, 5Aac 10Aac
Frequency	:	40...70Hz

Outputs:

Voltage output	:	0...10VDC / max. 20mA
Current output	:	0(4)...20mA / load resistor max. 500Ω
Accuracy	:	Min 1%
Adjustment aid	:	Initial value, adjustable Final value, adjustable

General data:

Operating temperature	:	0...50°C
Storage temperature	:	-25...+85°C, condensation before putting into operation is not allowed
Test voltage	:	2,5kVAC / 50Hz / 60 seconds / between input / output /auxiliary power
CE conformity	:	EN 61326-1, EN 61000-4-2/3*/4/5/6*, EN 61000-6-4 * during measurements are small deviations possible

Body:

Dimension	:	Cf. drawing, 22,5mm adjoin body, 22,5x114,5x104,5mm (with terminals)
Material	:	PA / V0
Protection category	:	IP20
Connection	:	M3-screw-type terminal 0, 14 - 2,5mm ² , flexible or inflexible
Fixing	:	Snap-on mounting for norm rail TS35
Weight	:	122g

Note on safety:



Disconnect the power supply before attempting to open the unit.

During the operation of this module it is possible that parts of the module, even there is extra-low voltage, (for example shunt measurement) are under dangerous voltage! Therefore a non-observance of this caution may cause damage of property or physical injury.

Only trained qualified personnel should install or operate the unit. Before installation the qualified personnel should read the documentation and should familiarize themselves with the unit.

If there is visible damage to the body of the unit it should be immediately replaced and not put into operation.



Please ensure that there is a sufficient prevention against electrostatic discharge during installation of the unit.

Installation Information:

Pay attention and make sure the unit is far away from mounted sources that may disturb the device such as magnetic coils, transformers, frequency converters etc.

Wiring advice:

Use only shielded cables. The shield is to be connected extensively to ground. Do not mix power- and signal-wires/cables in the same cable tray.

Limited warranty:

The LEG Industrie-Elektronik GmbH warranted that the product does not have any material or processing defects in a period of 5 years after date of delivery.

It is up to the choice of LEG to repair or to exchange an inoperative unit.

Subsequent damages or any claim for indemnification above the functionality of the unit are excluded.

This limited warranty is only valid if ...

1. the product was installed and put into operation according to the LEG operation documentation;
2. the technical configuration of the power supply was abided;
3. the product was not used for unintended purposes;
4. there were no unauthorized modifications or manipulations, misuse or repairs without previous agreement from LEG .

Our Terms of Trade are based on the "General Conditions for the supply of products and services of the Electrical and Electronics Industry" including the "Complementary Clause: Extended Reservation of Property" of the ZVEI e.V. (German Association of Electrical Manufacturers).

Miscellaneous:

We expressly reserve the right, without previous notice, to correct errors contained in any data of this information brochure, and to make alterations to the program and technical modifications.