

Direction switch with over current shut down

DU1

Characteristics:

- Adjustable over current shut down
- Motor current 0, 5...1,5A
- Custom range up to 10A
- Right - left
- Supply 24VDC
- Mountable on 35mm cap rail TS35
- Clear terminal labeling
- Narrow design
- Shape 22,5mm
- High reliability, 5 years warranty



Description:

The direction switch of the series DU1 have been developed for switching small 24V DC-motors in their rotation. With two control inputs the user is able to switch from left to right rotation. An adjustable over current shutdown saves the engine for overload and can be used to switch of in end positions.

If the engine shut down because of an over current situation, it is still off until the user sets the left or right signal again. If the motor is in off state it is hold in short circuit mode via the controller.

Application:

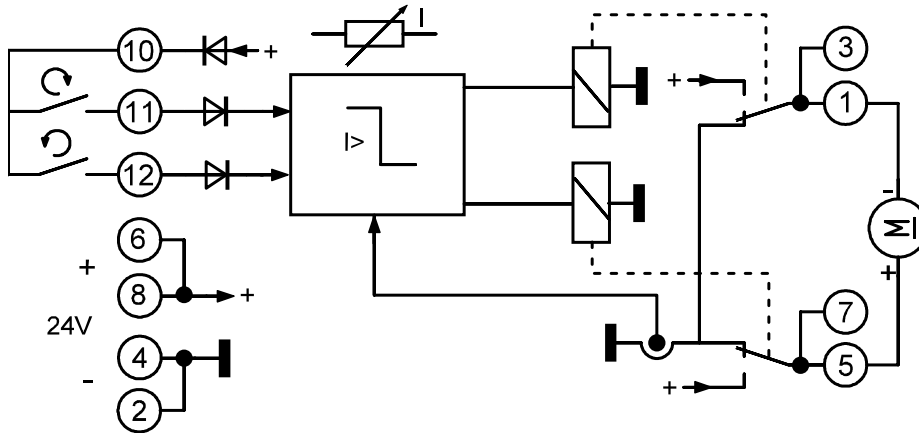
Controlling of lifting gears.

Order-No.:

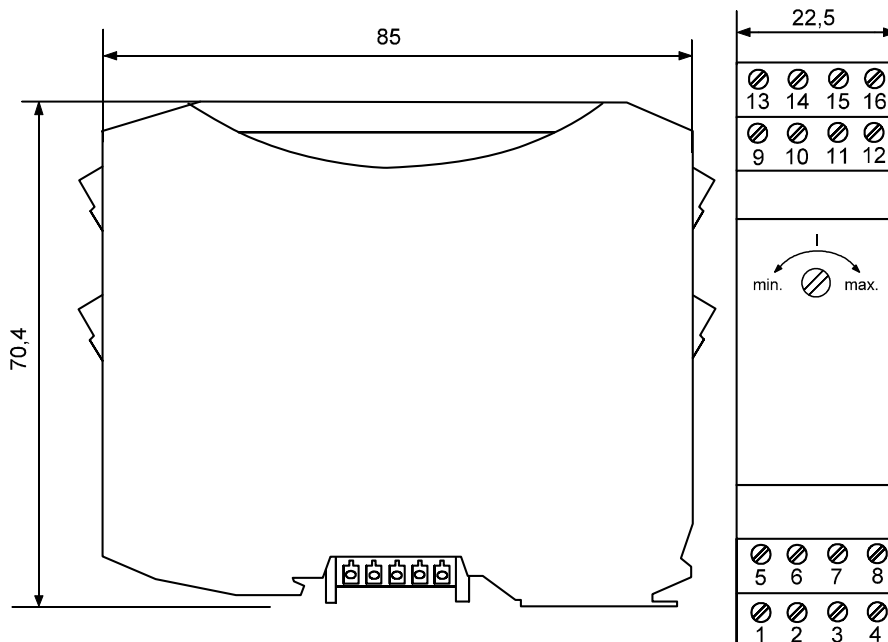
Adjustment range:

DU1-1, 5

0, 5...1,5A



* current monitoring not for DU1-0



Technical Data

Supply:

Voltage supply : 24V DC $\pm 20\%$
Power consumption : < 10mA + motor current

Input:

Control voltage : 24V DC $\pm 20\%$ / Rin = 1, 2 k Ω
Control current : 20mA

Output:

Motor output : 24V / max. 1,5A

Current limiting:

Adjustment range : 0, 5...1,5A
Switching delay : buffer the fault / reset after power on
Switch off delay : ca. 1s

General data:

Operating temperature : 0...50°C
Storage temperature : -25...+85°C, condensation before putting into operation is not allowed
Test voltage : 2,5kVAC / 50Hz / 60 sec. / between input / output / supply
CE conformity : EN 61326-1, EN 61000-4-2/3*/4/5/6*, EN 61000-6-4
* during measurements are small deviations possible

Body:

Dimension : Cf. drawing, 22,5mm adjoin body, 22,5x70,4x90,5mm (with terminals)
Material : PA / V0
Protection category : IP20
Connection : M3-screw-type terminal 0,14 – 2,5mm², flexible or inflexible
Fixing : Snap-on mounting for norm rail TS35
Weight : 90g

Note on safety:



Disconnect the power supply before attempting to open the unit.

During the operation of this module it is possible that parts of the module, even there is extra-low voltage, (for example shunt measurement) are under dangerous voltage! Therefore a non-observance of this caution may cause damage of property or physical injury.

Only trained qualified personnel should install or operate the unit. Before installation the qualified personnel should read the documentation and should familiarize themselves with the unit.

If there is visible damage to the body of the unit it should be immediately replaced and not put into operation.



Please ensure that there is a sufficient prevention against electrostatic discharge during installation of the unit.

Installation Information:

Pay attention and make sure the unit is far away from mounted sources that may disturb the device such as magnetic coils, transformers, frequency converters etc.

Wiring advice:

Use only shielded cables. The shield is to be connected extensively to ground. Do not mix power- and signal-wires/cables in the same cable tray.

Limited warranty:

The LEG Industrie-Elektronik GmbH warranted that the product does not have any material or processing defects in a period of 5 years after date of delivery.

It is up to the choice of LEG to repair or to exchange an inoperative unit.

Subsequent damages or any claim for indemnification above the functionality of the unit are excluded.

This limited warranty is only valid if ...

1. the product was installed and put into operation according to the LEG operation documentation;
2. the technical configuration of the power supply was abided;
3. the product was not used for unintended purposes;
4. there were no unauthorized modifications or manipulations, misuse or repairs without previous agreement from LEG .

Our Terms of Trade are based on the "General Conditions for the supply of products and services of the Electrical and Electronics Industry" including the "Complementary Clause: Extended Reservation of Property" of the ZVEI e.V. (German Association of Electrical Manufacturers).

Miscellaneous:

We expressly reserve the right, without previous notice, to correct errors contained in any data of this information brochure, and to make alterations to the program and technical modifications.