

DC/DC – Converters

DC3

Characteristics:

- Supply voltage 24VDC
- Output 5VDC, 10VDC and 12VDC, max.0,5A
- Status display in front panel
- Short-circuit proof
- Reverse voltage protection
- No-load proof
- Mountable on 35mm cap rail TS35
- Clear terminal labeling
- Tension spring connection
- Shape 6,2mm
- High reliability, 5 years warranty

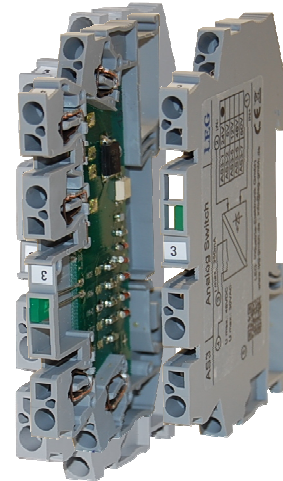


Image similar

Description:

The devices of the DC/DC – converters series DC3 have been developed especially for supplying our octocouplers of the series OK2 / OK21, they provide the necessary supply voltage for these units to the user. Support of any 5V, 10V and 12V load consumers from a 24VDC-power system. Input- and output voltage are based on the same ground, they are **NOT**, as usual with DC/DC – transformers, galvanic isolated. The units are developed as switching power supplies and therefore very low-loss. One LED in output displays the ON-position.

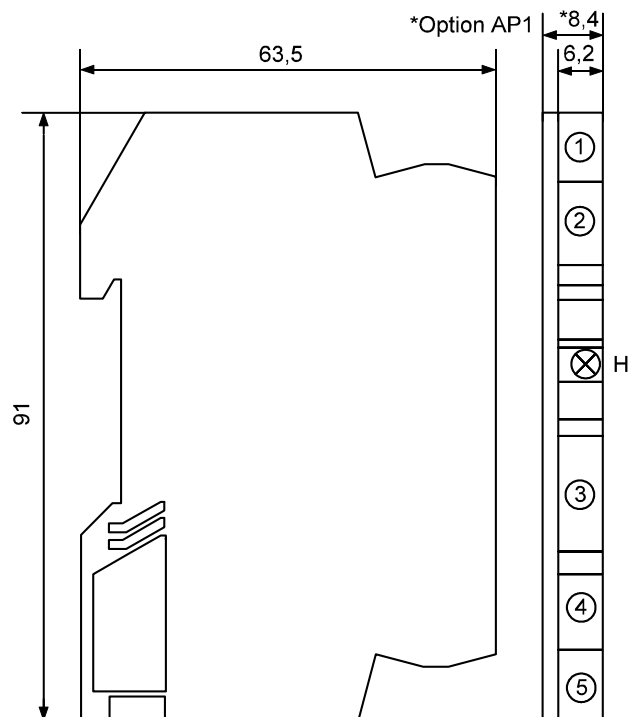
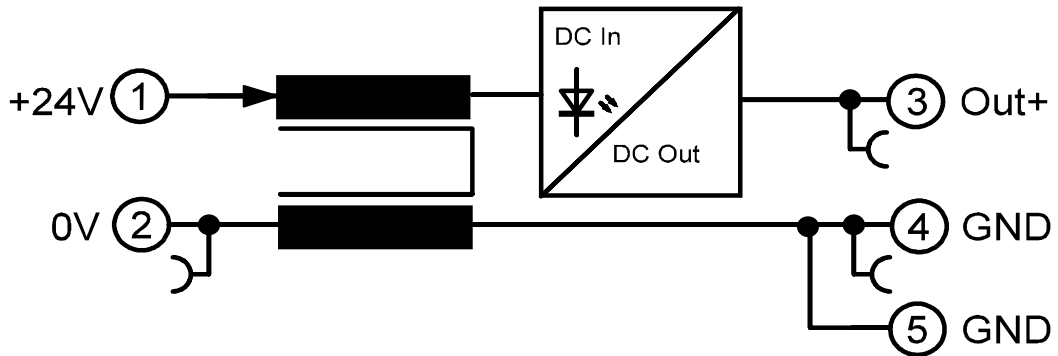
Application:

Decentralized 5VDC supply in 24VDC power systems
Support of our octocouplers series OK2 / OK21
Voltage supply of 5V encoders
Support of 10V set points
Support of modules with 12V vehicle electrical systems

Order-No:

Output:

DC3-2	5VDC / 0,5A
DC3-10	10VDC / 0,3A
DC3-5	12VDC / 0,25A



Technical data:

Supply:

Supply voltage	:	18...33VDC (Uin)
Peak voltage	:	max. 35V
Efficiency	:	>72% (at Uin = 24VDC)
Clock frequency	:	150 kHz

Outputs:

	DC3-2	DC3-10	DC3-5
Output voltage	: 5V DC ± 5%	10 VDC ± 5%	12 VDC ± 5%
Output current	: 500mA	300mA	250mA
Temperature coefficient:	0, 05%/K		
Factor Uin	±0, 2%		
Load correction	±1, 5% at load correction 10...100%		
Ripple & Noise	<20mV		

General data:

Operating temperature	:	0...50°C
Storage temperature	:	-25...+85°C, condensation before putting into operation is not allowed.
MTBF	:	104 years Mean Time Between Failures according to EN 61709 (SN 29500). Conditions: Stationary operation in clean rooms, average ambient temperature 40°C, operation without forced ventilation
CE conformity	:	EN 61326-1, EN 61000-4-2/3*/4/5/6*, EN 61000-6-4 * during measurements are small deviations possible

Body:

Dimension	:	6,2mm series terminal block body, 6,2x63,5x91mm
Material	:	PA 6.6 / V2
Protection category	:	IP20, with side cover/end cover plate
Connection	:	Spring force connection 0, 2 - 4mm ² , inflexible, 0, 2 – 2,5mm, flexible Contact load with link plugs max. 24A
Mounting position	:	As you like / mountable side by side
Mounting	:	Snap-on mounting for norm rail TS35
Weight	:	25g

Note on safety:



Disconnect the power supply before attempting to open the unit.

During the operation of this module it is possible that parts of the module, even there is extra-low voltage, (for example shunt measurement) are under dangerous voltage! Therefore a non-observance of this caution may cause damage of property or physical injury.

Only trained qualified personnel should install or operate the unit. Before installation the qualified personnel should read the documentation and should familiarize themselves with the unit.

If there is visible damage to the body of the unit it should be immediately replaced and not put into operation.



Please ensure that there is a sufficient prevention against electrostatic discharge during installation of the unit.

Installation Information:

Pay attention and make sure the unit is far away from mounted sources that may disturb the device such as magnetic coils, transformers, frequency converters etc.

Wiring advise:

Use only shielded cables. The shield is to be connected extensively to earth. Do not mix power- and signal-wires/cables in the same cable tray.

Limited guarantee:

The LEG Industrie-Elektronik GmbH warranted that the product does not have any material or processing defects in a period of 5 years after date of delivery.

It is up to the choice of LEG to repair or to exchange an inoperative unit.

Subsequent damages or any claim for indemnification above the functionality of the unit are excluded.

This limited warranty is only valid if ...

1. the product was installed and put into operation according to the LEG operation documentation;
2. the technical configuration of the power supply was abided;
3. the product was not used for unintended purposes;
4. there were no unauthorized modifications or manipulations, misuse or repairs without previous agreement from LEG .

Our Terms of Trade are based on the "General Conditions for the supply of products and services of the Electrical and Electronics Industry" including the "Complementary Clause: Extended Reservation of Property" of the ZVEI e.V. (German Association of Electrical Manufacturers).

Miscellaneous:

We expressly reserve the right, without previous notice, to correct errors contained in any data of this information brochure, and to make alterations to the program and technical modifications.